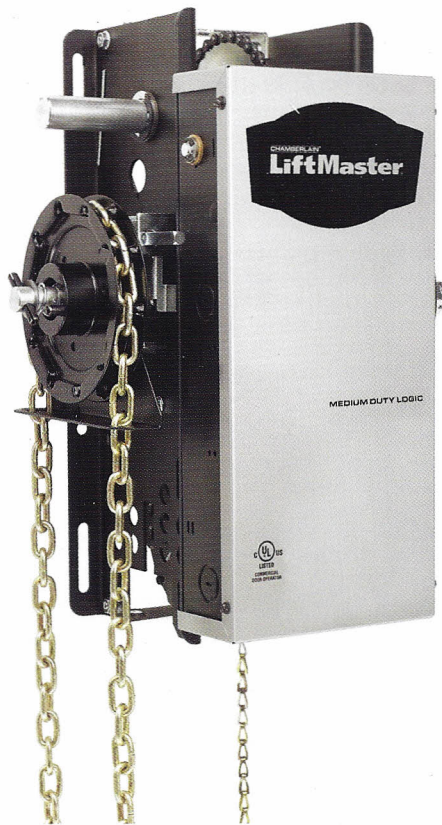


Medium-Duty Logic Hoist Operator

MODEL
MMH
COMMERCIAL DOOR OPERATOR

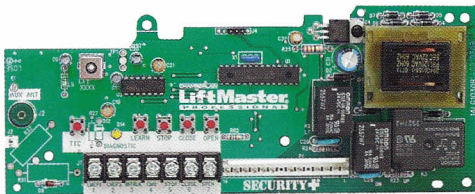


Medium-Duty Logic Technology

Offers an innovative design that provides reliable service and exceptional value to economically meet the toughest commercial applications.

Added Value

- Adjustable friction clutch
- Solenoid brake standard
- High-starting torque motor with overload protection
- Compact design
- Emergency chain hoist with electric interlock
- Medium-Duty Logic programmable integrated circuit board
- Integrated 3-channel radio
 - Learn/program up to 20 Chamberlain® 315 MHz remote controls
 - Recognizes Security+® and DIP switch remote controls
 - Compatible with 3-button remote controls for open/close/stop operation
- Programmable C2 or B2 wiring options
- Integrated timer-to-close (TTC)
 - Programmable from 5 to 60 seconds (CPS®-L or CPS®-LN4 photo-eyes must be installed)
- Integrated 90-second maximum run timer
- Monitored entrapment capability
- Enhanced protection against transient overvoltage conditions
- 3-button control station included



Includes the Medium-Duty Logic Board with Built-In Receiver



Featuring built-in radio receiver compatible with up to 20 Security+® or unlimited DIP switch remote controls
(Remote controls sold separately)

Also available, Mechanical dual-relay version (M)

(115V - 24VAC NEC Class 2 Circuit with 20VA transformer)

Dependable, dual-relay operator control system. Control system provides easy selection between B2 and C2 wiring by moving a single wire.

CHAMBERLAIN®

LiftMaster®
MEDIUM DUTY LOGIC

MH

COMMERCIAL DOOR OPERATOR

MAXIMUM DOOR AREA (SQ. FT.)						
ROLLING	24 ga. Steel	22 ga. Steel	—	20 ga. 18 ga. Steel	16 ga. Steel	—
	Alum. Grilles	Alum. Doors	—	Steel Grilles	—	—
SECTIONAL	—	24 ga. 22 ga. Steel	20 ga. Steel	—	16 ga. Steel	—
	Fiber-glass	Alum. Doors	Wood Doors	—	—	—
	—	—	24 ga. Steel Insul.	—	20 ga. Steel Insul.	16 ga. Steel Insul.
SQ. FT.	320	275	250	200	160	120

NOTE: On steel insulated doors, a 24-gauge back panel is assumed.

Standard Features

- Motor**
 Powerful 1/2 HP, 115V single-phase motor with instant reverse, capacitor start and overload protection. Removable without affecting limit switch settings.
- Emergency Manual Operation**
 Provides easy emergency manual operation using a floor level disconnect and an electrically interlocked chain hoist mechanism.
- Operator/Motor Control**
 Solid-state Medium-Duty Logic circuit board.
- Control Circuit**
 24V NEC Class 2.
- Wiring Type**
 All operators are factory preset to C2 wiring, providing momentary contact to open and stop, with constant contact to close. Momentary contact to close (B2 wiring) can be easily set with the push of a button. The operator is pre-wired to accept CPS®-L/CPS®-LN4 photo-eyes or a sensing edge.
- Drive Reduction**
 First-stage heavy-duty 4L V-belt; second and third stages #48 chain.
- Bushings**
 Heavy-duty oil-filled bushings.
- Friction Clutch**
 Adjustable friction clutch helps protect against damage to the door and operator should the door meet an obstruction.
- Brake**
 Heavy-duty solenoid-actuated brake.
- Push Button Station**
 3-button station, for open/close/stop functions, is standard for all operators. Controls with 1, 2 and 3 buttons are available.
- Radio Receiver**
 315 MHz radio receiver is integral to the Medium-Duty Logic board. Accepts up to 20 Security+® remote controls and unlimited DIP switch remote controls.
- Construction**
 NEMA 1 type electrical box, heavy-duty 11-gauge steel frame with baked-on powdercoat finish, all reduction sprockets drilled and pinned to shafts.

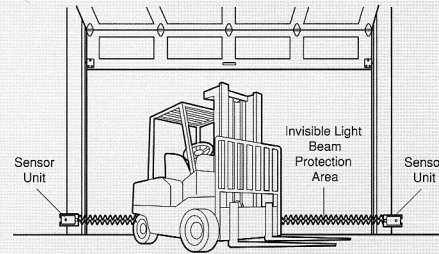
Control Accessories and Options

- Sensing Edge (recommended)**
 Senses an obstruction and signals door operator to stop or reverse upon contact. Either an electric or pneumatic sensing device can be added to bottom edge of door.
- Radio Control**
 Universal remote controls and receivers are available to signal the operator to open, close and stop.
- Rolling Door Interlock Switch**
 Interlock switch disables the operator control circuit when a manual door lock is engaged, preventing damage to the door and operator.
- Weathertight Control Devices**
 A variety of weathertight control devices are available including 3-button control stations, key control stations and digital keypads.
- Wireless Access Control Devices**
 Weather-proof single or 3-button wireless control stations are available and are compatible with the Medium-Duty Logic on-board receiver. In addition, a choice of either a 5 or 250-code wireless keypad is available. Wireless controls should be used to supplement hard-wired controls and should not be used in place of such controls unless a sensing device, such as photo-eyes or a sensing edge, is present.

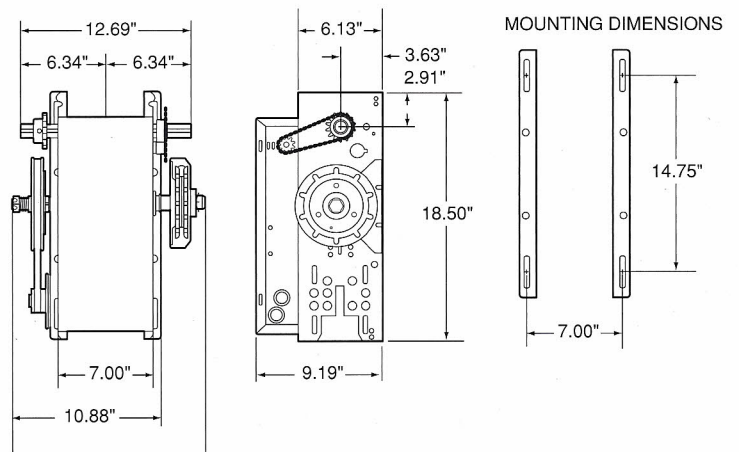
CPS®-L Commercial Protector System® (recommended)

An inexpensive "non-contact" photo safety sensor designed to sense an obstruction and signal the door operator to reverse to open.

- Safety of a non-contact infrared reversing sensor
- Heavy-gauge mounting brackets
- Bright yellow safety color
- Patented electrical interface monitors system status at all times
- Watertight NEMA 4 design (use CPS®-LN4)
- LED indicators for quick alignment
- One size fits all (for doors up to 45 ft. wide)
- Quick installation and pre-molded for 1 inch conduit



Clearance and Mounting Details



CHAMBERLAIN®

LiftMaster®

THE CHAMBERLAIN GROUP, INC.
 845 Larch Avenue • Elmhurst, IL 60126
www.liftmaster.com • <http://specs.chamberlain.com/architectscorner>



Chamberlain reserves the right to make design or specification changes without notice.
 ©2008 The Chamberlain Group, Inc. Printed in U.S.A. 10/08 LMCDMOMH