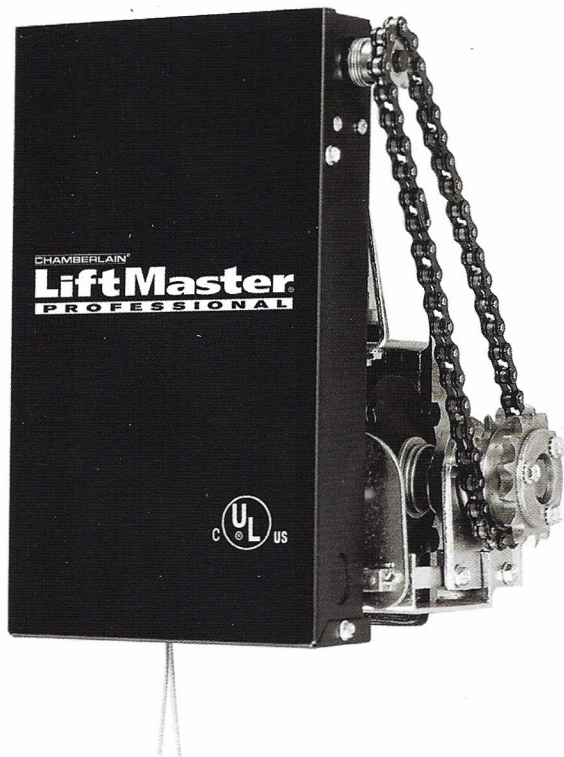


# Light-Duty Gear-Reduced Jackshaft Operator for Rolling Grilles and Shutters



## LiftMaster® Commercial Door Operators

are engineered, manufactured  
and tested to provide reliable  
service to meet the toughest  
commercial applications.

- Internal door lock sensing circuit
- Compact design
- Floor level disconnect

**Ideal for use with counter  
shutters and rolling grilles.**

CHAMBERLAIN®

# LiftMaster®

COMMERCIAL DOOR OPERATOR

# MODEL L6J

# LGJ

## COMMERCIAL DOOR OPERATOR

MAXIMUM DOOR AREA (SQ. FT.)				
ROLLING	24 ga. Steel	22 ga. Steel	20 ga. 18 ga. Steel	16 ga. Steel
	Alum. Grilles	Alum. Doors	Alum. Grilles	—
SQ. FT.	65	55	45	40

## Standard Features

### • Motor

Powerful 1/4 HP, 115V single-phase motor with instant reverse and internal automatic reset thermal overload. Removable without affecting limit switch settings.

### • Door Lock Sensing Circuit

The model LGJ includes a speed sensor in the electrical enclosure and a sensing circuit which sends a signal to stop the motor if the door jams, such as would be caused by failure to release the lockbar of a rolling grille before starting the operator. In addition to stopping the motor, if the door or grille is in the fully closed position, it will drive the motor in the opposite direction for approximately 1 inch of door travel. This releases the pressure on the lockbar, thus allowing the lock to be easily opened.

### • Floor Level Disconnect

Floor level disconnect provides emergency manual operation.

### • Operator/Motor Control

Solid-state circuit (G2) with door lock sensing circuit (NEMA 1 enclosure).

### • Control Circuit

24V NEC Class 2.

### • Wiring Type

The model LGJ is easily wired for C2 or B2 wiring. The operator is pre-wired to accept a sensing device, photoelectric sensor, radio controls and most types of access control equipment.

### • Drive Reduction

Heavy-duty wormgear-in-oil-bath-speed reducer.

### • Push Button Station

3-button station, for OPEN/CLOSE/STOP functions, is standard for all operators. Controls with 1, 2 and 3 buttons are available.

### • Construction

NEMA 1 type electrical box with baked-on powdercoat finish. Easily field-converted for right or left mounting.

## Control Accessories and Options

### • Sensing Edge (recommended)

Senses an obstruction and signals door operator to stop or reverse upon contact. Either an electric or pneumatic sensing device can be added to bottom edge of door.

### • Radio Control

Universal transmitters and receivers are available to signal the operator to open and/or close.

### • Emergency Egress Device

Attractive faceplate mounts flush to the wall and contains a handle to disconnect the operator from the grille, thereby allowing the grille to be opened manually or by spring tension.

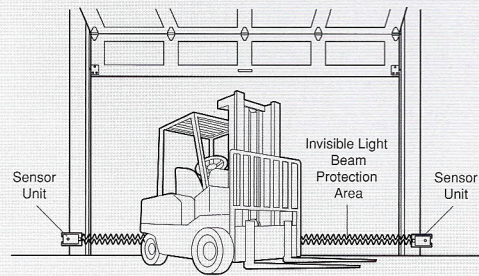
### • Rolling Door Interlock Switch

Interlock switch disables the operator control circuit when a manual door lock is engaged, preventing damage to the door and operator.

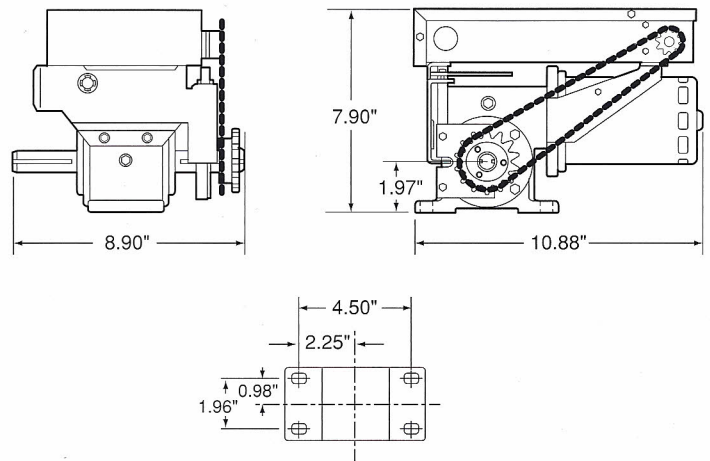
### CPS® Commercial Protector System® (recommended)

An inexpensive "non-contact" photo safety sensor designed to sense an obstruction and signal the door operator to reverse to open.

- Safety of a non-contact infrared reversing sensor
- Fast and easy to install
- Patented electrical interface monitors system status at all times
- LED indicators for quick alignment
- One size fits all (for doors up to 30 ft. wide)
- Also works with CPS-N4



## Clearance and Mounting Details



MOUNTING DIMENSIONS

CHAMBERLAIN®

# LiftMaster®

THE CHAMBERLAIN GROUP, INC.

845 Larch Avenue • Elmhurst, IL 60126

www.liftmaster.com • <http://specs.chamberlain.com/architectscorner>



Chamberlain reserves the right to make design or specification changes without notice.  
©2008 The Chamberlain Group, Inc. Printed in U.S.A. 6/08 LMCDOLGJ